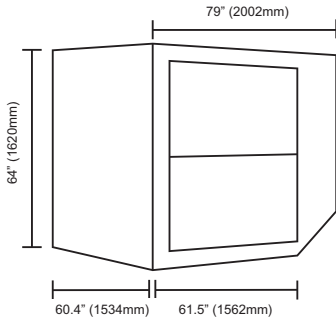


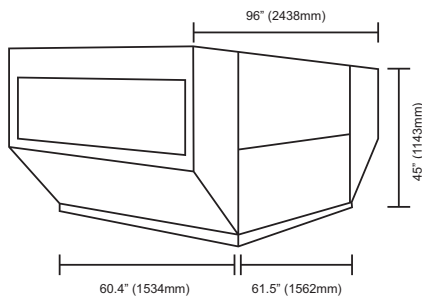
AIR FREIGHT UNIT TYPES

AKE



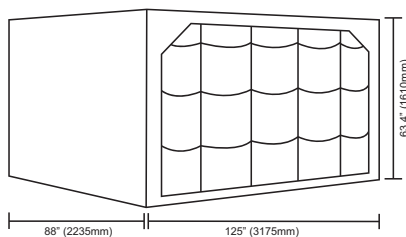
Aircraft types	All B747, B767, A330, A380
Main deck / lower deck	lower
Base size	60.4 x 61.5in (1534 x 1562mm)
Height	64in (1620mm)
Roof length	79in (2002mm)
Max. gross weight	3500lb (1587kg) ⁽¹⁾
Internal volume	159cu ft (4.5cu m)
External volume	168cu ft (4.8cu m)
Door opening	56.2 x 60.4in (1427 x 1533mm)
Tare weight	156 - 174lb (70 - 79kg) ⁽²⁾

AKH



Aircraft types	A320
Main deck / lower deck	lower
Base size	60.4 x 61.5in (1534 x 1562mm)
Height	45in (1143mm)
Roof length	96in (2438mm)
Max. gross weight	2204lb (1000kg) ⁽¹⁾
Internal volume	131cu ft (3.7cu m)
External volume	138cu ft (3.9cu m)
Door opening	56 x 42.9in (1422 x 1090mm)
Tare weight	176lb (80kg) ⁽²⁾

AAP / AA2



Aircraft types	All B747, B767, A330, A380
Main deck / lower deck	both
Base size	88 x 125in (2235 x 3175mm)
Height	63.4in (1610mm)
Roof length	125in (3175mm)
Max. gross weight	10198lb (4626kg) ⁽¹⁾
Internal volume	364cu ft (10.3cu m)
External volume	396cu ft (11.2cu m)
Door opening	115.3 x 58in (2928 x 1474mm)
Tare weight	441 - 602lb (200 - 273kg) ⁽²⁾

(1) Approved structural ULD weight only.
Max gross weight may vary depending on aircraft type and position loaded in cargo hold.

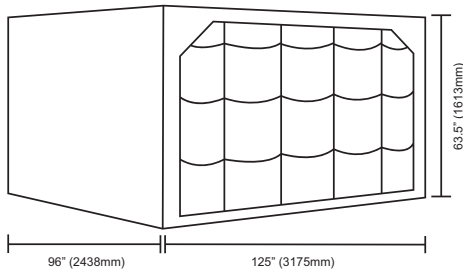
(2) Actual Tare weights may vary due to manufacturer



These diagrams are intended as a guide only as equipment will slightly vary from Carrier to Carrier. Please contact Henning Harders for any further questions you may have. WWW.HARDERS.COM.AU

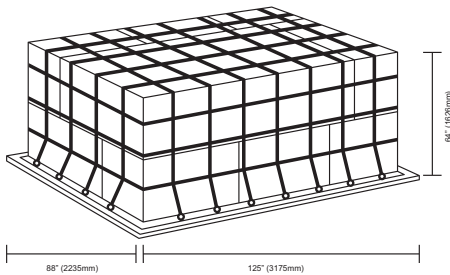
AIR FREIGHT UNIT TYPES

AMP



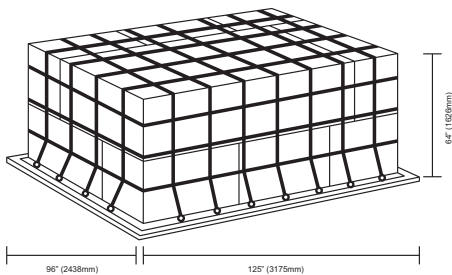
Aircraft types	All B747, B767, A330, A380
Main deck / lower deck	both
Base size	96 x 125in (2438 x 3175mm)
Height	63.5in (1613mm)
Max. gross weight	11243lb (5100kg) ⁽¹⁾
Internal volume	552cu ft (14.3cu m)
External volume	585cu ft (14.8cu m)
Door opening	115.3 x 58in (2928 x 1474mm)
Tare weight	586lb (265kg)

PAG



Aircraft types	All B747, B767, A330, A380
Main deck / lower deck	lower
Base size	88 x 125in (2235 x 3175mm)
Max. gross weight	10198lb (4626kg) ⁽¹⁾
Tare weight	242lb (110kg) ⁽²⁾

PMC



Aircraft types	All B747, B767, A330, A380
Main deck / lower deck	lower
Base size	96 x 125in (2438 x 3175mm)
Max. gross weight	11243lb (5100kg) (1)
Tare weight	242lb (110kg) (2)

(1) Approved structural ULD weight only.
Max gross weight may vary depending
on aircraft type and position loaded in
cargo hold.

(2) Actual Tare weights may vary due to
manufacturer



These diagrams are intended as a guide only as
equipment will slightly vary from Carrier to Carrier.
Please contact Henning Harders for any further
questions you may have. **WWW.HARDERS.COM.AU**